

The Convincing Brand For Cost Effective Data Destruction

Description:	Paper Shredding Machine
Model:	DC42/35
Recommended Location:	Industrial / Warehouse

This machine combines the advantages of a heavy duty stationary shredder with the flexibility of a department machine.

ROTO DC42-35 Data Shredder System Shredder

Semi-Industrial Paper Shredder. Shredding Systems for the bulk destruction of sensitive information. This High Performance Shredder is built individually to your specification for professional applications. It is capable of destroying up to 250kg per hour.

- Shreds staples, clips, CD's, videos, diskettes etc.
- Price Includes 300L Collection Box.
- Includes auto oiling system
- Demonstration is available on request.

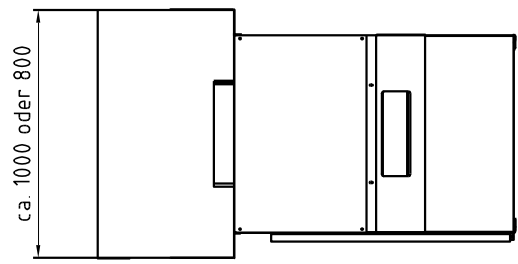
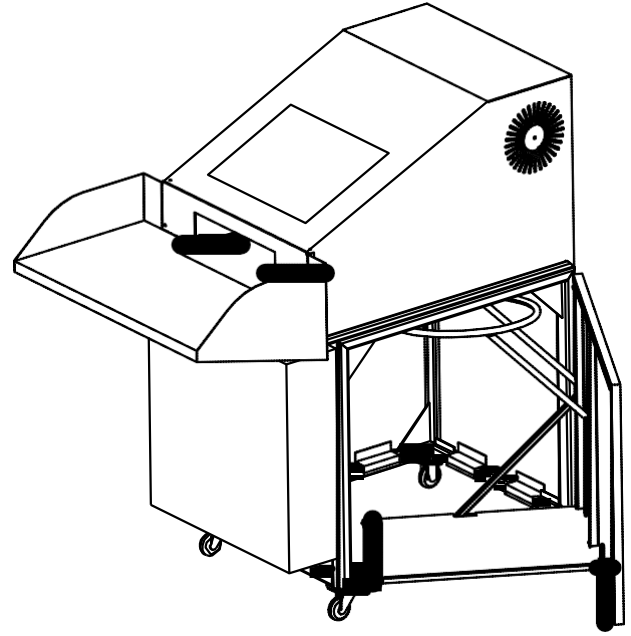
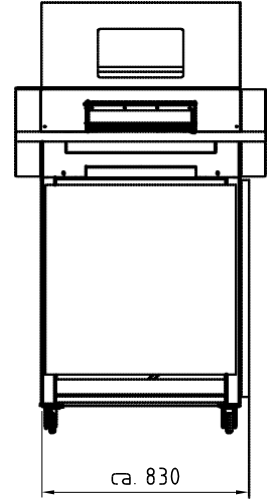
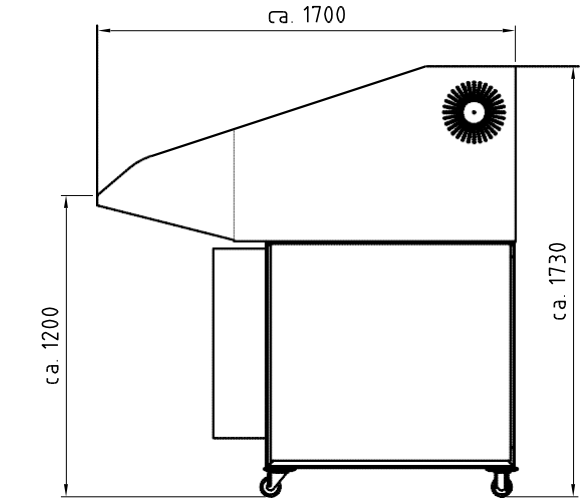


Cut size:	6 x 50mm Cross Cut
Capacity:	250kg / hour
Din level:	Level 3
Motor:	5.4kw
Weight:	300kg
Litre capacity:	300 (250 into bag)
Voltage:	400v
List price:	POA

1 2 3 4 5 6 7 8

A
B
C
D
E
F

A
B
C
D
E
F



Aktenvernichter	Data shredder	DC 42 ■ 35
Maße	dimensions	1700 x 830 x 1730 (LxBxH)
Gewicht	weight	kg
Partikel	particle	6 x 50 mm
Schnittleistung	cutting rate	Blatt ■ pages
Arbeitsbreite	cutting wdth	420 mm
Antriebsleistung	drive power	5,4 kW ■ 400V ■ 50 Hz
Sack	bag	Ø420 x 800

JBF Maschinen GmbH Flurstrasse 8 D-88367 Höhentengen	Freimaßtoleranz:	Oberfläche:	Maßstab -	Position -	Menge -
	DIN 7168 m		-	-	-
	Datum	Name	Maßblatt JBF DC42 ■ 35 Schwenktüre mit Sackhalter		
	Bearb. 21.11.2006	Fuchs			
	Gepr.				
	Norm		MB-DC42-35-Sack-00		
	Ersatz für: -				
	Ersetzt durch: -		Blatt		
			-		
Zust.	Änderungen	Datum	Name	Dateiname	MB-D-DC42-35-Sack-00.dwg

Für diese Zeichnung behalten wir uns nach DIN 34 alle Rechte vor.

1 2 3 4 5 6 7 8